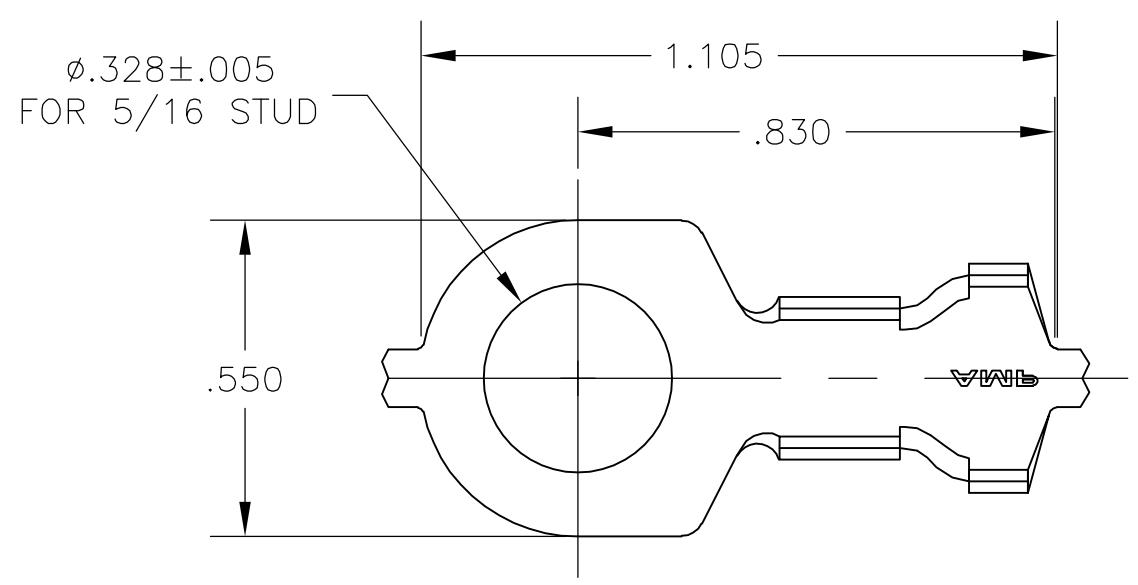
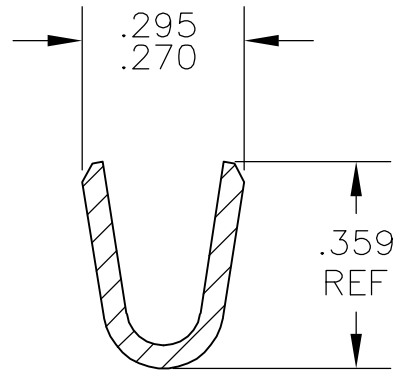
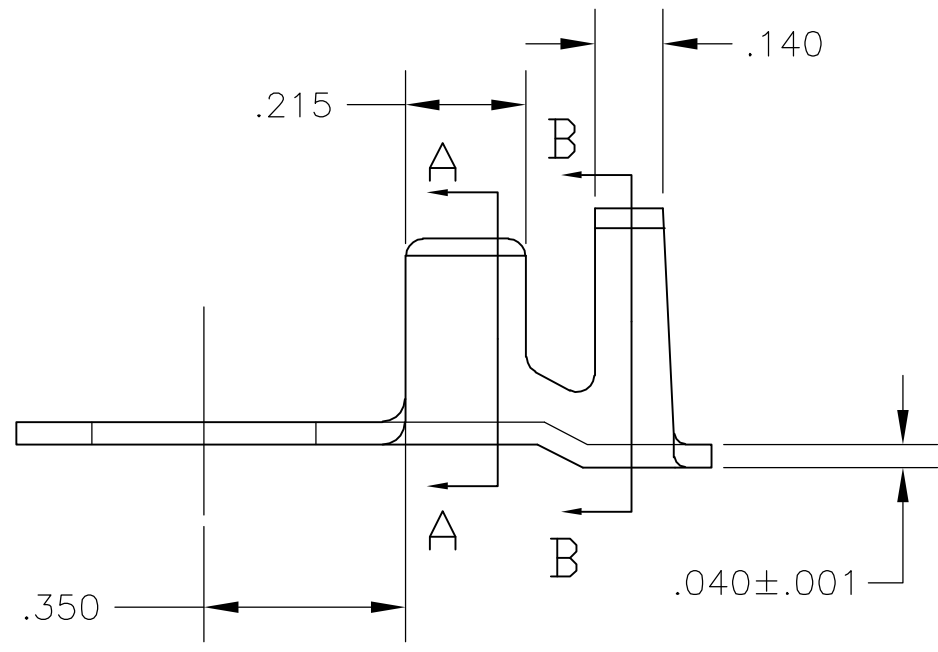


THIS DRAWING IS UNPUBLISHED. RELEASED FOR PUBLICATION
 © COPYRIGHT BY TYCO ELECTRONICS CORPORATION. ALL RIGHTS RESERVED.

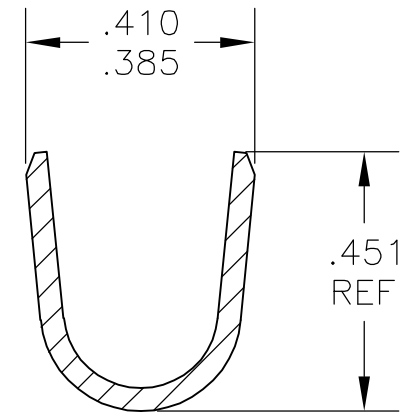
LOC	DIST	REVISIONS					
AF	50	P	LTR	DESCRIPTION	DATE	DWN	APVD
			P2	REV UPDATE PER ECR 05-015567	16NOV05	JR	DD



- 1 CONTINUOUS STRIP ON REELS
- 2 WIRE SIZE IS #10-#6 AWG
- 3 INSULATION RANGE IS .220-.315 DIA
- △ 4 REVERSE REELED



SECTION A-A



SECTION B-B

△ 4	.000080 MIN TIN	42913-3
	.000080-MIN TIN	42913-2
	FINISH	PART NO

THIS DRAWING IS A CONTROLLED DOCUMENT.		DWN	jr_ruth	08FEB05	tyco Electronics	Tyco Electronics Corporation	
DIMENSIONS: INCHES		CHK	D DECKER	08FEB05		Harrisburg, PA 17105	
TOLERANCES UNLESS OTHERWISE SPECIFIED:		APVD	D DECKER	08FEB05	NAME		
0 PLC ± -		PRODUCT SPEC		RING TONGUE			
1 PLC ± -		APPLICATION SPEC		-			
2 PLC ± -		WEIGHT		-			
3 PLC ± .015		SIZE		CAGE CODE	DRAWING NO	RESTRICTED TO	
4 PLC ± -		MATERIAL		A3	00779	C-42913	-
ANGLES ± 5°		081 BRASS		CUSTOMER DRAWING		SCALE	3:1
FINISH		SEE TABLE		SHEET		1 OF 1	REV
							P2